



Figure Based Questions Overview

Figure Based Questions have a good weightage in the Ssc Chsl Exam and the type of question asked in Ssc Chsl exam is similar to the question mentioned below. It has been solved and explained by KD Live Experts under the guidance of Neetu Mam and they have tried to elaborate the concept used in Figure Based Questions.

Question On Figure Based

How many squares are there in the given figure?

Difficulty : Moderate

Average Time : 29 Seconds

Figure Based Questions Options

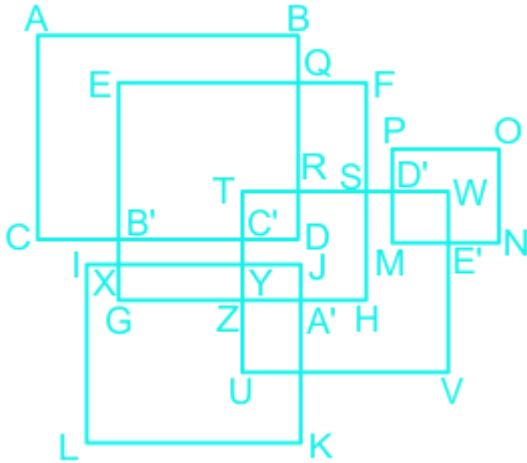
1. 10
2. 8
3. 12
4. 6

Figure Based Questions Solution

The correct answer is **Option 1** i.e. 10

Understanding

The given figure has 10 squares as shown below:



10 squares: ABDC, EFHG, IJKL, UVWT, MNOP, B'EQD, C'TRD, YJA'Z, TZHS, D'WE'M

Figure Based Questions Tips and Tricks



1. Try to solve Figure Based Questions without taking any help from the solutions.
2. Figure Based Questions require proper usage of concept so firstly read the question thoroughly and then use the right concept.
3. In case you're not able to solve the question in less than 30 seconds in the exam then you should skip the question

and move to the next question.

Daily Current Affairs



KD Live is providing Current Affairs on a daily basis for SSC and a current affairs quiz too for the practice. For the Current Affairs please [Click Here](#) and for the current affairs quiz please [Click Here](#).

KD Live Free Offerings



KD Live is Offering Every Information and Study Material required for the self study. Please click on the following links for accessing those.

[Study Plan](#)



5 LAKH+ STUDENTS
Already enrolled with our selection focused courses.



30+ EXPERT INSTRUCTORS
Our instructors are the best in the industry



10000+ HOURS OF VIDEOS
All videos are well-explained for you to get every bit out of the videos

General Science
General Awareness
General Knowledge
Quantitative Aptitude
Logical Reasoning
English Language
Today In History
Previous Year Question
Syllabus
Know Your State
Know Your Country
Know Your City
Know Your Leader
Books And Authors
Daily Vocabulary
Daily Editorial
Latest Notifications
Exam Dates
Admit Card
Exam Results
Exam Cutoff
Exam Eligibility
Exam Pattern
Answer Key
Important Days



Further Guidance on Figure Based Questions

For Asking any query on Figure Based Questions please mail [Send Email](#) or you can fill the form at [KD Live](#).

About KD Live

KD live has an expertise in providing apt explanations for the Figure Based Questions since 2008. More than 10 lakh aspirants have cleared competitive exams under the guidance of Neetu Mam. Study.kdcampus.live is providing free information on various topics and for the Ssc Chsl Exam you can refer the following link [Click Here](#) however if you want to practice more questions then please refer the following link [Click Here](#).

About Neetu Mam

Neetu Mam is primarily passionate for the English language and teaching from the last 20 years however for the Figure



STUDY CONTENTS THAT GET YOU SELECTED

**FREE
PDF**



5 LAKH+ STUDENTS
Already enrolled with our
selection focused courses.



30+ EXPERT INSTRUCTORS
Our instructors are the best
in the industry



10000+ HOURS OF VIDEOS
All videos are well-explained for you
to get every bit out of the videos

Based Questions. She has guided her team to provide the best explanation for the question.



Follow us on



Address : 1997, Mukherjee Nagar, 110009

Email : online@kdcampus.org

Call : +91 95551 08888

Download the App

