

Distance And Direction Questions Overview

Distance And Direction Questions have a good weightage in the Ssc Cgl Exam and the type of question asked in Ssc Cgl exam is similar to the question mentioned below. It has been solved and explained by KD Live Experts under the guidance of Neetu Mam and they have tried to elaborate the concept used in Distance And Direction Questions.

Question On Distance And Direction

Rahul walked 20 m towards the north. Then he turned right and walks 30 m. Then he turns right and walks 35 m. Then he turns left and walks 15 m. Finally, he turns left and walks 15 m. In which direction and how many meters is he from the starting position?

Difficulty : Moderate

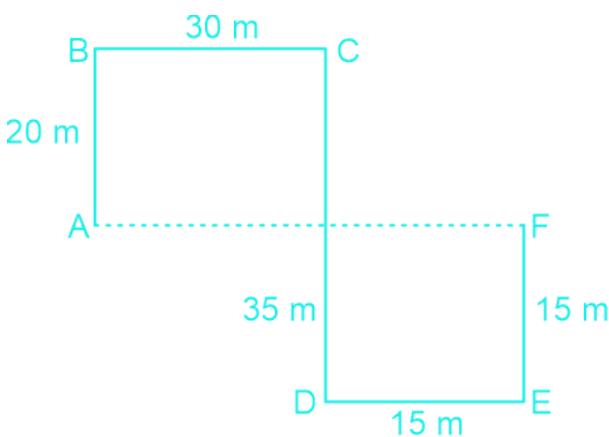
Average Time : 41 Seconds

Distance And Direction Questions Options

1. 45 m East
2. 30 m East
3. 15 m West
4. 45 m West

Distance And Direction Questions Solution

The correct answer is **Option 1** i.e. **45 m East**



$$\begin{aligned}\text{Required distance} &= AF \\ &= 30 + 15 \\ &= 45\end{aligned}$$

From the above diagram, F is in the east direction from A.

So, the required answer is 45 m in the east.

Hence, **45 m East** is the correct answer.

Distance And Direction Questions Tips and Tricks



1. Try to solve Distance And Direction Questions without taking any help from the solutions.
2. Distance And Direction Questions require proper usage of concept so firstly read the question thoroughly and then use the right concept.
3. In case you're not able to solve the question in less than 30 seconds in the exam then you should skip the question and move to the next question.

Daily Current Affairs



KD Live is providing Current Affairs on a daily basis for SSC and a current affairs quiz too for the practice. For the Current Affairs please [Click Here](#) and for the current affairs quiz please [Click Here](#).

KD Live Free Offerings



KD Live is Offering Every Information and Study Material required for the self study. Please click on the following links for accessing those.

- [Study Plan](#)
- [General Science](#)
- [General Awareness](#)
- [General Knowledge](#)
- [Quantitative Aptitude](#)



Logical Reasoning
English Language
Today In History
Question Paper
Syllabus
Know Your State
Know Your Country
Know Your City
Know Your Leader
Books And Authors
Daily Vocabulary
Daily Editorial
Latest Notifications
Exam Dates
Admit Card
Exam Results
Exam Cutoff
Exam Eligibility
Exam Pattern
Answer Key
Important Days



Further Guidance on Distance And Direction Questions

For Asking any query on Distance And Direction Questions please mail [Send Email](#) or you can fill the form at [KD Live](#).

About KD Live

KD live has an expertise in providing apt explanations for the Distance And Direction Questions since 2008. More than 10 lakh aspirants have cleared competitive exams under the guidance of Neetu Mam. Study.kdcampus.live is providing free information on various topics and for the Ssc Cgl Exam you can refer the following link [Click Here](#) however if you want to practice more questions then please refer the following link [Click Here](#).

About Neetu Mam

Neetu Mam is primarily passionate for the English language and teaching from the last 20 years however for the Distance And Direction Questions. She has guided her team to provide the best explanation for the question.