



Blood Relations Questions Overview

Blood Relations Questions have a good weightage in the Ssc Chsl Exam and the type of question asked in Ssc Chsl exam is similar to the question mentioned below. It has been solved and explained by KD Live Experts under the guidance of Neetu Mam and they have tried to elaborate the concept used in Blood Relations Questions.

Comprehension On Blood Relations Questions

Direction: Read the given information carefully and answer the following questions. Eight family members E, F, G, H, I, J, K, and L of three generations live together. E is the sister-in-law of G, who is the father of H. I is the sister-in-law of H's only sibling J, who is the aunt of K. F is the grandmother of L, who is the only son of H's wife. No couple has more than two children.

Question On Blood Relations

What is the relationship of E with respect to J?

Difficulty : Moderate

Average Time : 53 Seconds

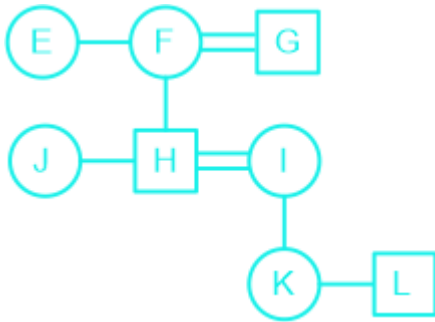
Blood Relations Questions Options

1. Uncle
2. Mother
3. Aunt
4. Sister
5. Sister-in-law

Blood Relations Questions Solution

The correct answer is **Option 3** i.e. **Aunt**

By the family tree diagram, we get the relationships and gender of all the family members.



E is aunt of J.

Hence, the correct answer of **Aunt**.

Blood Relations Questions Tips and Tricks



1. Try to solve Blood Relations Questions without taking any help from the solutions.
2. Blood Relations Questions require proper usage of concept so firstly read the question thoroughly and then use the right concept.
3. In case you're not able to solve the question in less than 30 seconds in the exam then you should skip the question and move to the next question.

Daily Current Affairs



KD Live is providing Current Affairs on a daily basis for SSC and a current affairs quiz too for the practice. For the Current Affairs please [Click Here](#) and for the current affairs quiz please [Click Here](#).

KD Live Free Offerings



KD Live is Offering Every Information and Study Material required for the self study. Please click on the following links for accessing those.

- [Study Plan](#)
- [General Science](#)
- [General Awareness](#)
- [General Knowledge](#)
- [Quantitative Aptitude](#)



Logical Reasoning
English Language
Today In History
Previous Year Question
Syllabus
Know Your State
Know Your Country
Know Your City
Know Your Leader
Books And Authors
Daily Vocabulary
Daily Editorial
Latest Notifications
Exam Dates
Admit Card
Exam Results
Exam Cutoff
Exam Eligibility
Exam Pattern
Answer Key
Important Days



Further Guidance on Blood Relations Questions

For Asking any query on Blood Relations Questions please mail [Send Email](#) or you can fill the form at [KD Live](#).

About KD Live

KD live has an expertise in providing apt explanations for the Blood Relations Questions since 2008. More than 10 lakh aspirants have cleared competitive exams under the guidance of Neetu Mam. Study.kdcampus.live is providing free information on various topics and for the Ssc Chsl Exam you can refer the following link [Click Here](#) however if you want to practice more questions then please refer the following link [Click Here](#).

About Neetu Mam

Neetu Mam is primarily passionate for the English language and teaching from the last 20 years however for the Blood Relations Questions. She has guided her team to provide the best explanation for the question.